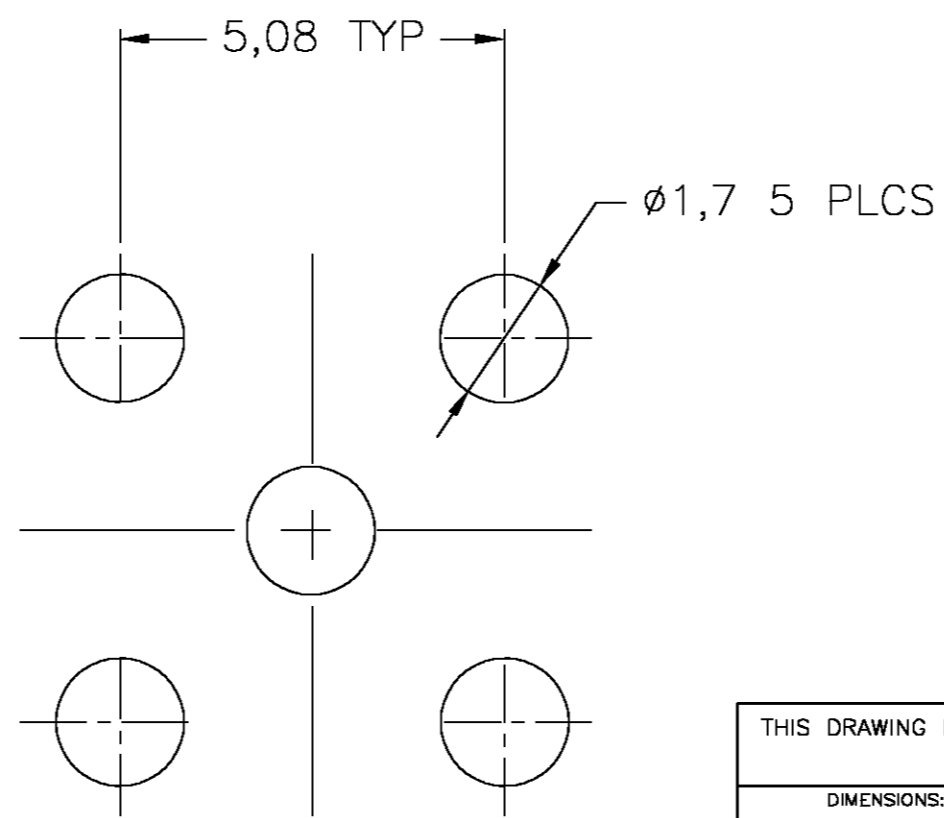
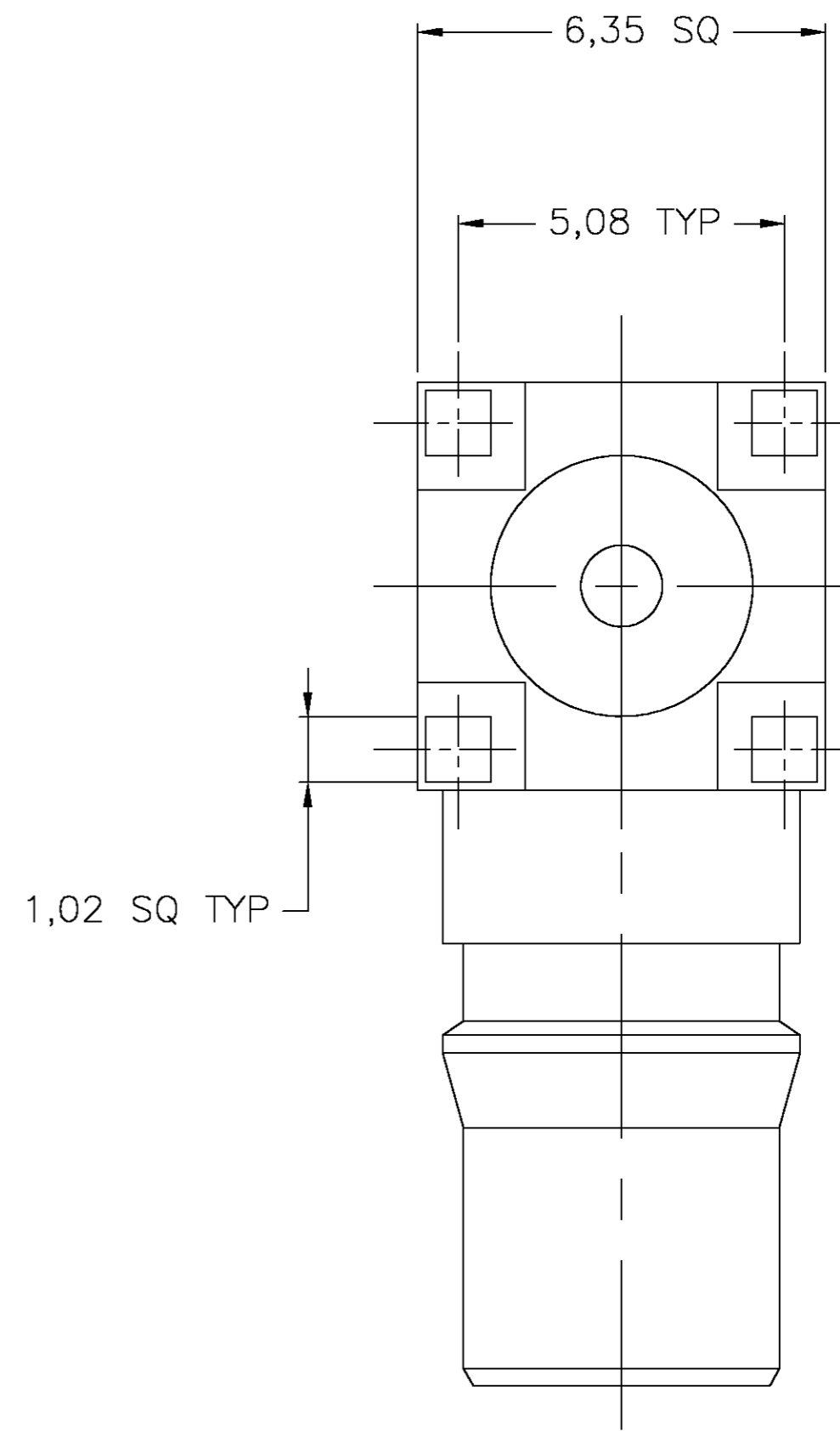
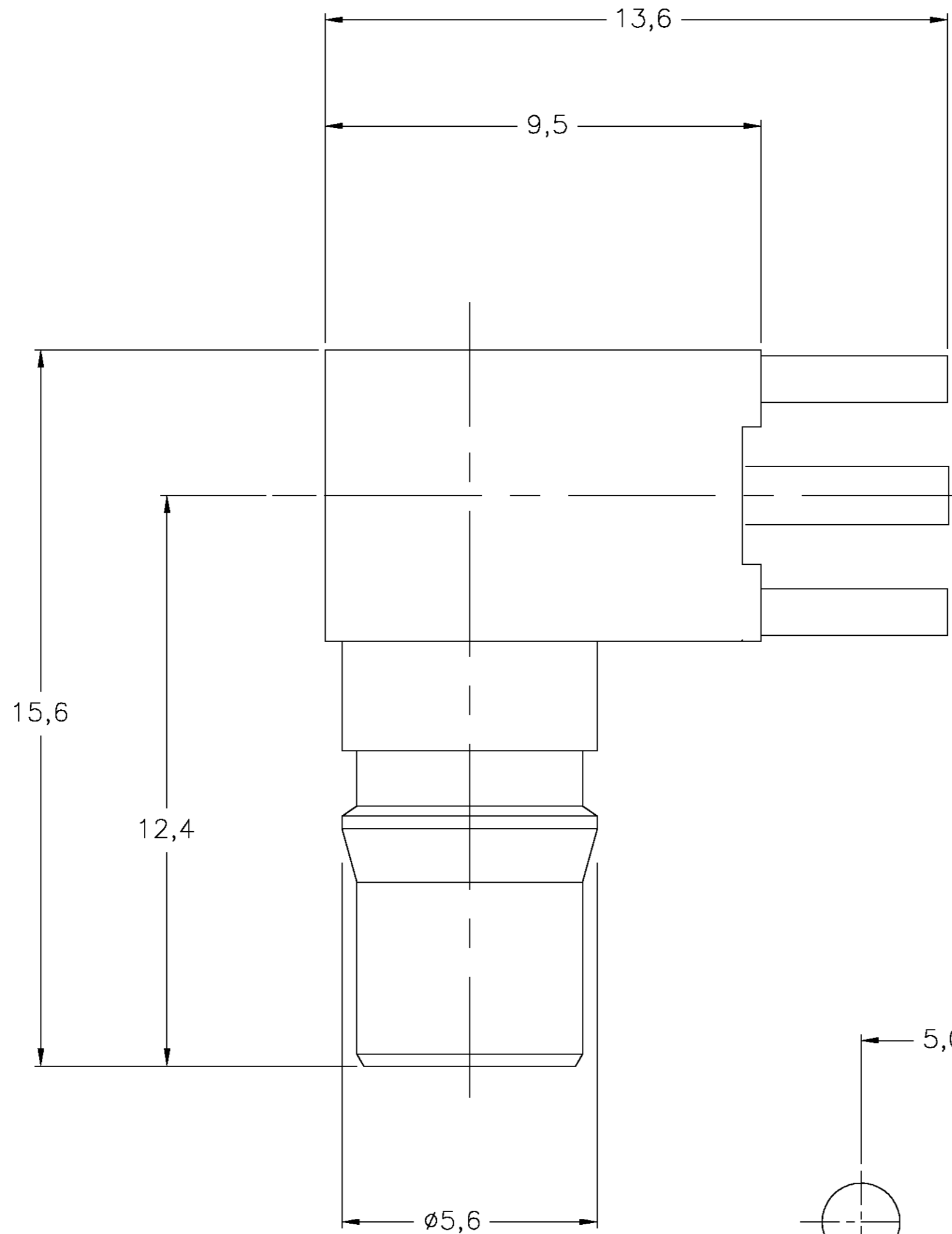


THIS DRAWING IS UNPUBLISHED. RELEASED FOR PUBLICATION
 © COPYRIGHT BY TYCO ELECTRONICS CORPORATION. ALL RIGHTS RESERVED.

LOC	DIST	REVISIONS			
P	LTR	DESCRIPTION	DATE	DWN	APVD
HC	00	A	RELEASE PER EC 0S14-0160-03	4/11/03	- DCam



RECOMMENDED MOUNTING HOLE

1408337-1
PART NO.

CONTACT	BERYLLIUM COPPER	GOLD
HOUSING	BRASS	GOLD
DIELECTRIC	PTFE	N/A
COMPONENT	MATERIAL	FINISH

THIS DRAWING IS A CONTROLLED DOCUMENT.		DWN	16NOV2001	Tyco Electronics Corporation	
DIMENSIONS: MM		CHK	-	Norwood, MA 02052	
TOLERANCES UNLESS OTHERWISE SPECIFIED:		APVD	-	NAME	
0 PLC ± -		PRODUCT SPEC	-	QMA RIGHT ANGLE PWB JACK	
1 PLC ± 0,2		APPLICATION SPEC	-	SIZE	CAGE CODE
2 PLC ± 0,13		WEIGHT	-	A2	00779
3 PLC ± -		CUSTOMER DRAWING	-	DRAWING NO	1408337
4 PLC ± -		SCALE	10:1	SHEET	1 OF 1
ANGLES ± 1		REV	A	RESTRICTED TO	
FINISH					

1408337